

IC555 (Timer) Application Trainer (MI-A18) has been designed specifically to demonstrate the importance of IC555(Timer) in Different Applications. This kit provides all necessary inputs and connections for students to study the 555 Timer IC in Astable, Monostable & Bistable modes. This Trainer comes with manual pulse input & variable Resistance.

Features

- In-built regulated DC Power Supply
- On board manual pulse generator for triggering the monostable and bistable circuit
- Strongly supported by systematic operating instructions
- Inbuilt LED output indicator
- Attractive ABS Plastic Cabinet
- Symbols and Diagram are printed on glass epoxy PCB
- Easy to operate

Technical Specifications

In built DC Power Supply : +5VDC

IC & Components Provided

Capacitor Bank : 3nos.

IC : 555 Timer

Variable Resistor Bank : 2nos.

Switches (Push to ON) : 2nos.

Output LED Indicator : 1 no.

Pulse Input circuit : 2nos.

Multiple test points to configure different modes

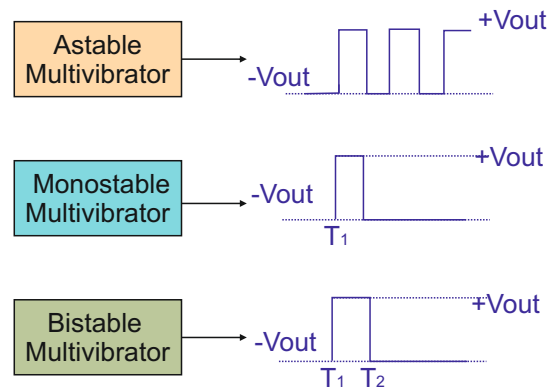
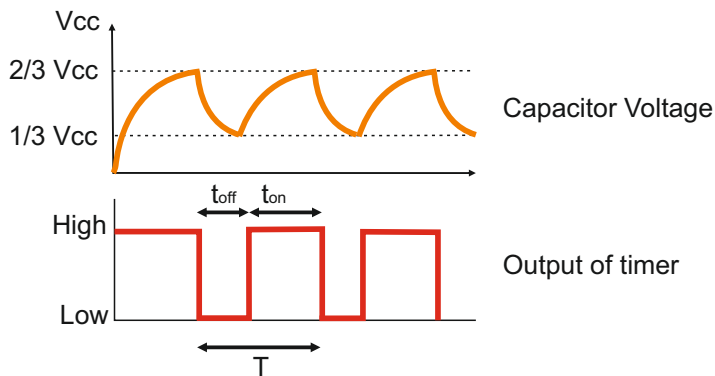
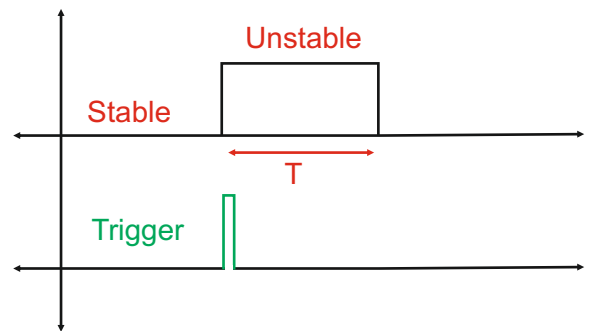
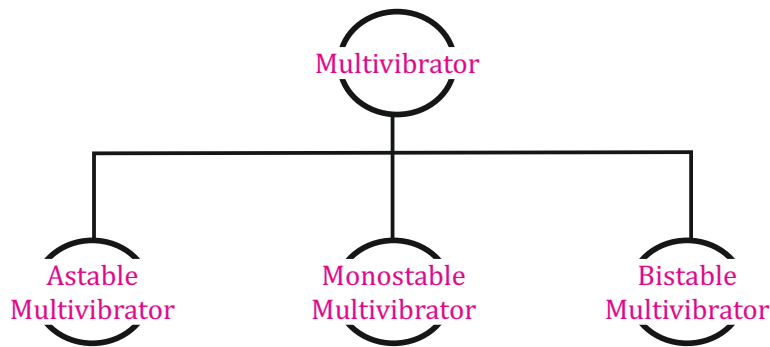
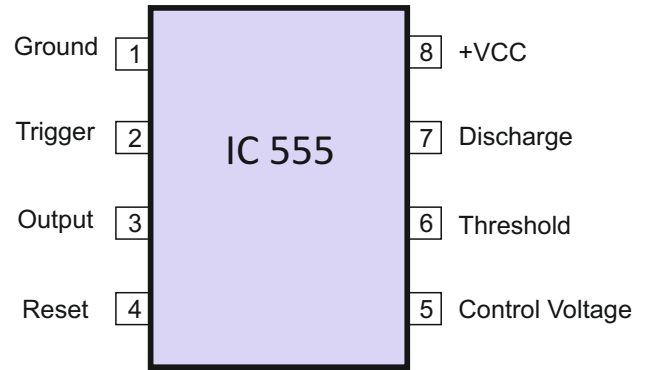
Input Line Voltage : 230V AC \pm 10% , 50Hz

Dimensions (mm) : 270 (L)x170(W)x62(H) (Approx)

Weight : 3.5Kg. (Approx)

Learning's

- To study about operation of IC 555 as Monostable Multivibrator.
- To study about operation of IC 555 as Bistable Multivibrator.
- To study about operation of IC 555 as Astable Multivibrator.



Package Contents



Power Cable



Patch Cord



User Manual

Mine Instruments Pvt. Ltd. An ISO 9001:2015 Certified Company

67-B, First Floor, Electronic Complex, Pardeshipura, Indore-452010 (M.P.) India
e-mail: info@mineinstruments.com; sales@mineinstruments.com

www.mineinstruments.com; www.mineinstruments.in, ☎ +91-731-4246503 📞 +91-6262603222, +91-6262603777

Regional ☎ East : +91-6262601000 | West : +91-6262605000 | North : +91-6262609000 | South : +91-6262608000
Emails- east@mineinstruments.com | west@mineinstruments.com | north@mineinstruments.com | south@mineinstruments.com

